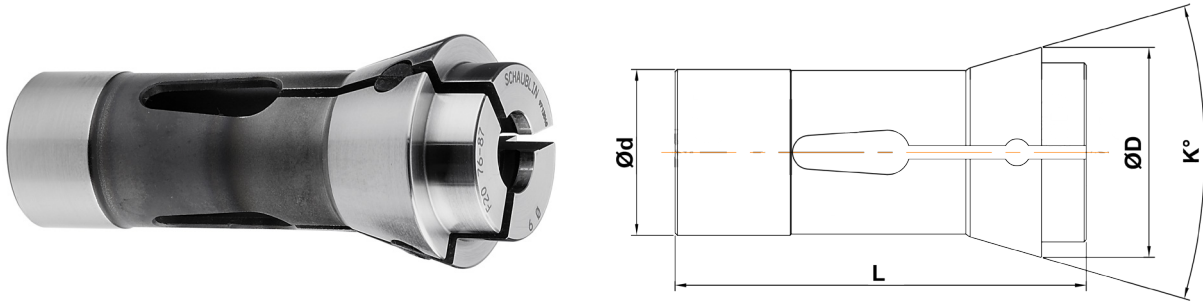


F-Type Collets



E. No.	Schaublin Ref	d	D	L	K	Maximum		
						\varnothing	Hex	Square
EF 4.5	F4.5-76	4.5	6.75	17.25	30°	3.5	-	-
100 E	F6-599	6	10	30	30°	4.5	-	-
1010 E	F7-576	7	11	41	30°	5.0	-	-
1020 E	F7-66	7	10.7	26	30°	5.5	-	-
101 E	F8-577	8	12	42	32°	6.35	-	-
109 E	F10-86	10	15.5	47.5	40°	8.0	7.0	5.5
111 E	F10-1178	10	16	46	40°	8.0	on request	
114 E	F12-578	12	18	64	32°	10.0	-	-
116 E	F13-357	13	19	63.5	32°	10.0	8.0	7.0
117 E	F14-98	14	18	46	26°	12.0	10.0	8.0
120 E	F15-580	15	21	64	32°	13.0	11.0	9.0
121 E	F15-358	15	22	47	40°		on request	
123 E	F16-104	16	22	55	30°		on request	
1212E	F16-1076	16	21	64	32°	13.0	10.0	8.0
127 E	F18-85	18	25	67	30°		on request	
128 E	F18-579	18	24	64	32°		on request	
136 E	F20 76-201	20	26	54	30°	16.0	14.0	10.0
138 E	F20-87	20	28	67	32°	16.0	14.0	11.0
140 E	F22-71	22	30	55	30°	16.0	15.0	10.0
144 E	F25-91	25	34	65	30°	20.0	17.0	14.0
145 E	F25-64	25	35	77	32°	20.0	17.0	14.0
146 E	F26-90	26	32	67	26°	20.0	17.0	14.0
147 E	F27-22	27	38	72.7	30°	23.0	20.0	16.0
148 E	F28-93	28	38	70	30°	24.0	19.0	16.0
157 E	F30-63	30	42	80	32°	26.0	22.0	18.0
1446E	F30-101	30	38	65	30°	26.0	22.0	17.0
161 E	F32-221	32	45	75	30°	28.0	24.0	19.0
163 E	F35-94	35	48	80	30°	30.0	27.0	20.0
1536E	F37-740	37	47	92	32°	32.0	27.0	22.0
164 E	F38-72	38.1	49.3	108.7	30°	32.0	27.0	22.0
-	F40	40	47	92	32°	36.0	-	-
171 E	F42-99	42	55	94	30°	37.0	32.0	26.0
173 E	F48-81	48	60	94	30°	42.0	38.0	30.0
177 E	F58-355	58	70	94	30°	52.0	44.0	36.0
185 E	F66-359	66	84	11	30°	60.0	50.0	41.0

In-house re-grind service. Intermediate sizes available in 24/48 hours.

See our website for Extended nose options, Carbide lined collets, Special profiles, Overgripping application, ID clamping