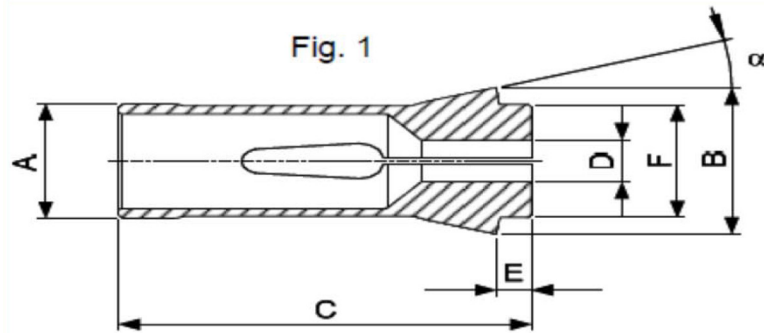




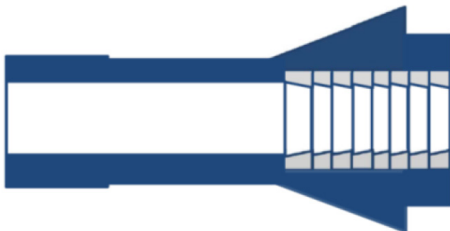
F40 COLLETS

Special F40 and F40a Collets for Oversize Kits for CNC Ø32mm Sliding Head Machines



TYPE	A	B	C	E	F	COLLET NOSE CAP BORE	α	MAX Ø
F40-SG	40	47	92	10	40	41	16mm°	Ø34mm
F40-S	40	47	92	10	40	41	16mm°	Ø36mm
F40R-SG	40	47	92	10	42	43	16mm°	Ø36mm
F40R-S	40	47	92	10	42	43	16mm°	Ø36mm
F40-Asian*-SG	40	47	92	10	43	44	16mm°	Ø36mm
F40-Asian*-S	40	47	92	10	43	44	16mm°	Ø36mm

SG = SUPER GRIP / S= SMOOTH BORE *Hanwha and Tsugami Machines



Super Grip collets have a speciall serrated profile that allows the bar to feed freely through the collets with minimum marking, but prevents push back.