

Axial Knurl Holders

Twin Wheel Type RDH

Fig 1.

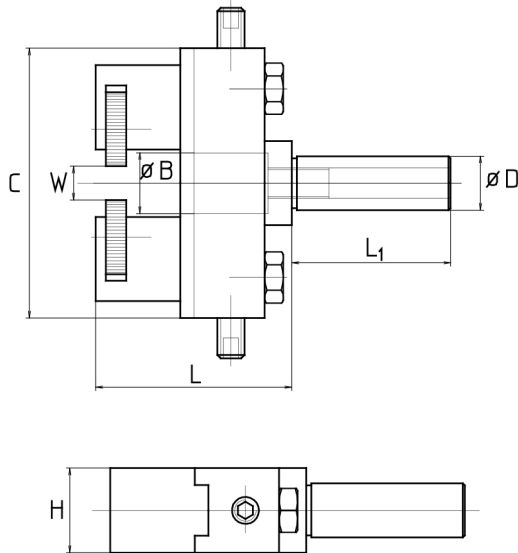
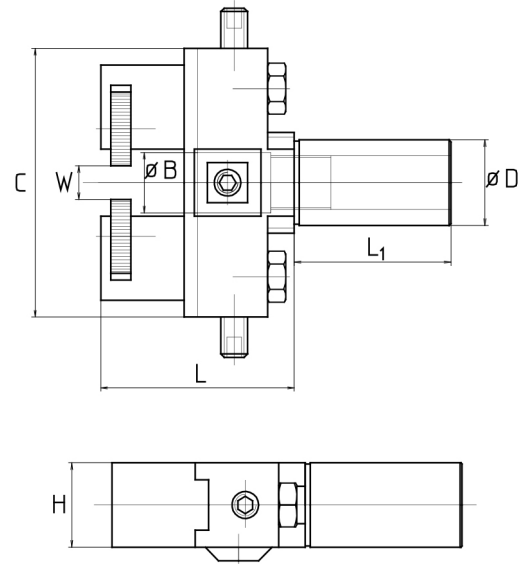


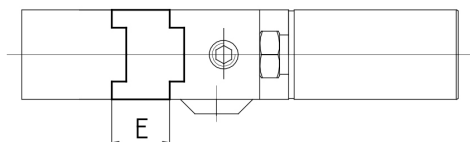
Fig 2.



Cat No.	D	L1	L	C	H	B	W Max	Fig	Knurl
RDH58	5/8"	46	50	80	25	17	0-40	1	20x6x6
RDH16	16	46	50	80	25	17	0-40	1	20x6x6
RDH34	3/4"	46	50	80	25	18	0-40	1 or 2	20x6x6
RDH20	20	46	50	80	25	18	0-40	1	20x6x6
RDH25	25	46	50	80	25	18	0-44*	1 or 2	20x6x6
RDH10	1"	46	50	80	25	18	0-44*	1 or 2	20x6x6
RDH22	22	75	50	80	25	18	0-40	1	20x6x6

* with knurl 15x6x6

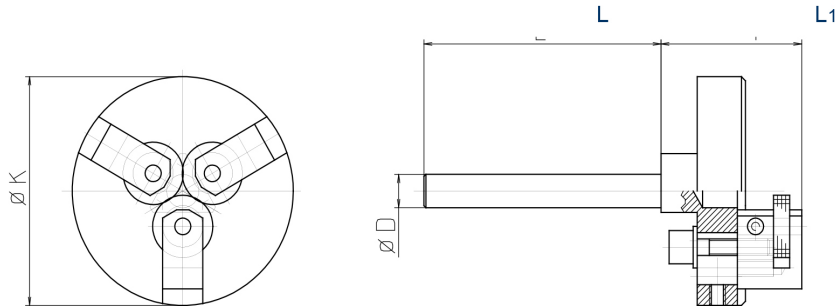
Distance Piece



Cat No.	E
RDHU16	15
RDHU20	20

Axial Knurl Holders

Three Wheel Type RTH

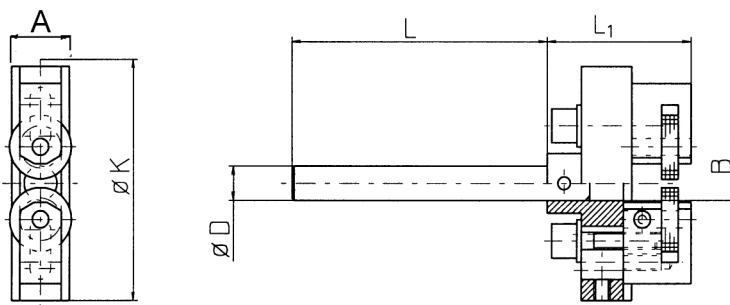


Possibility to Knurl from Ø1,6 – 20mm
Theoretical smallest knurl size:

Knurl Ø10mm = 1,54
Knurl Ø12mm = 1,86
Knurl Ø15mm = 2,32

Cat No.	D	L1	L	K	1. Max. Knurl Length	2. Max. Knurl Length	Knurl
RTH06	6	29	60	45	< Ø11=12mm	> Ø11=6mm	10-15x4x4
RTH07	7	35	60	55	< Ø11=12mm	> Ø11=6mm	10-15x4x4
RTH08	8	35	60	55	< Ø11=12mm	> Ø11=6mm	10-15x4x4
RTH10	10	35	61	55	< Ø11=12mm	> Ø11=6mm	10-15x4x4
RTH12	12	35	60	55	< Ø11=12mm	> Ø11=6mm	10-15x4x4
RTH16	16	35	60	55	< Ø11=12mm	> Ø11=6mm	10-15x4x4
RTH20	20	35	58	55	< Ø11=12mm	> Ø11=6mm	10-15x4x4
RTH22	22	35	120	55	< Ø11=12mm	> Ø11=6mm	10-15x4x4

Two Wheel Type RDH – Small Shank



Possibility to Knurl from Ø0 – 20mm
Maximum knurl length:
< CØ = 27mm
> CØ = 10mm

Cat No.	D	L1	L	K	A	ØB	W Max	Knurl
RDH06	6	29	60	45	12	7,5	20	10-15x4x4
RDH07	7	35	60	45	16	7,5	20	10-15x4x4
RDH08	8	35	60	45	16	7,5	20	10-15x4x4
RDH10x	10	35	61	45	16	7,5	20	10-15x4x4
RDH12	12	35	60	45	19	7,5	20	10-15x4x4
RDH16x	16	35	60	46	19	8,5	20	10-15x4x4
RDH19x	¾"	35	58	47	19	9,5	20	10-15x4x4
RDH20x	20	35	58	48	19	10,5	20	10-15x4x4
RDH22x	22	35	120	49	19	11,5	20	10-15x4x4