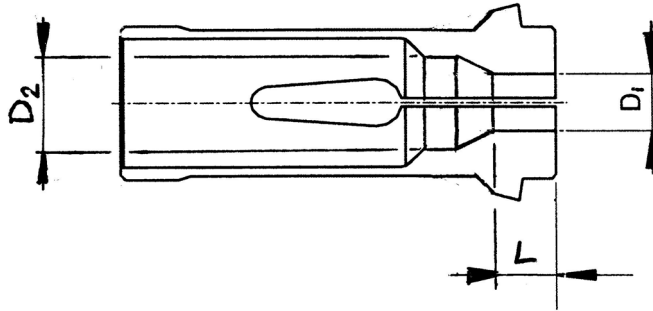




F-TYPE COLLET FOR OVERGRIPPING

Client Ref:	
Enquiry No.:	
Floyd Order No.:	



COLLET TYPE:	
BORE Ø 'D1' = (gripping dia.)	
BORE Ø 'D2' = OVERGRIPPING DIA. (please give dia. collet is to clear. This will be plus on that dia.)	
LENGTH OF BORE 'L' = (gripping length)	
ADDITIONAL INFORMATION I.E. KEYWAY DETAIL ETC.	

Please complete form and fax back on 01462 490835